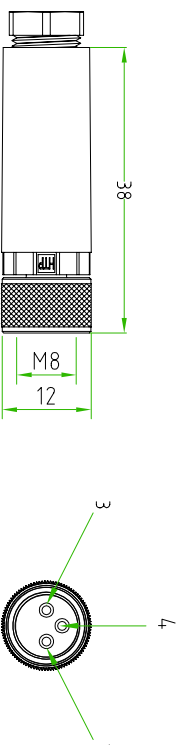
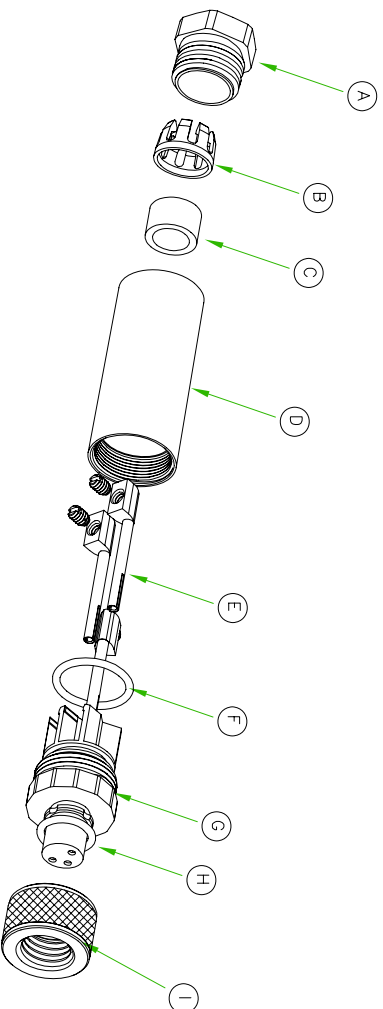


A	PRESS CABLE SREW
B	LAMELLAE PRESS-CABLE SEAL
C	GASKET PRESS-CABLE SEAL
D	HOUSING - BLACK
E	SCREW CONTACT GOLD PLATED
F	O-RING
G	INTERNAL CORE M8
H	O-RING
I	M8 NUT Brass+nickel plated (CuZnNi)



CONNECTOR FEATURES	
PRODUCT TYPE	M8 TO CABLE
CONTACT TYPE	SCREW FEMALE
NUMBER OF CONTACTS	3POLES
HOUSING MATERIAL	NYLON6-30%GLASS FIBRE
HOUSING TYPE	180°
HOUSING COLOUR	BLACK
RATED VOLTAGE	60V AC/DC
RATED CURRENT	4A
COUPLING NUT MATERIAL	Brass+nickel plated (CuZnNi)
O-RING	NBR
PROTECTION CLASS	IP67
CONNECTOR WITH H.T.P.LOGO	

TOLLERANZE	DISIGNATORE	DATA	SCALA	DISIGNO N.
UDM	±0.2 LORENZO CHINNO CONTROLLATO	03.08.12	1:1	

DESCRIZIONE	TIPO	MATERIALE
M8 FEMALE STRAIGHT 180° 3 POLES WITH H.T.P. LOGO, BLACK HOUSING, TO CABLE WITH SCREW CONTACT.	M8	

**HTP** HIGH TECH PRODUCTS

H.T.P.  
08FC3000-S