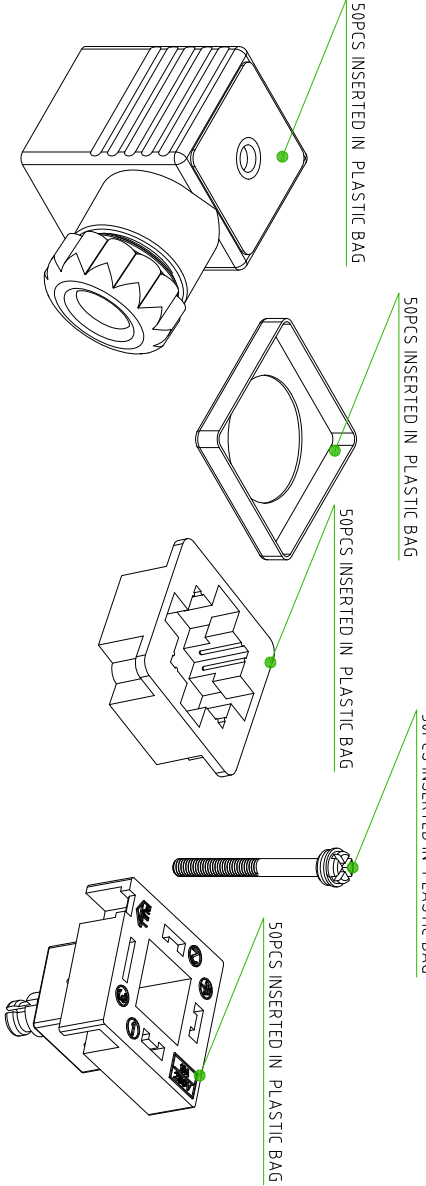


PACKAGING:



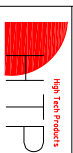
PACKAGING:

- EACH COMPONENT OF THE CONNECTOR MUST BE INSERTED IN PLASTIC BAG (50PCS)
- 50PCS FIXING SCREW COMPLETE WITH O-RING
 - 50pcs NBR PROFILED GASKET
 - 50PCS CONNECTOR HOUSING ASSEMBLED WITH LAMELLAE PRESS CABLE SEAL, PRESS CABLE SEALS PG9/11, PRESS CABLE SCREW.
 - 50PCS INTERNAL CORE
 - 50PCS INTERNAL CORE FOR FIXED CONTACTS

CONNECTOR FEATURES

PRODUCT TYPE	DIN43650/A CONNECTOR FIELD ATTACHABLE WITHOUT FASTON CONTACTS
HOUSING COLOUR	BLACK
HEIGHT HOUSING	30mm
TYPE CONTACTS	SUITABLE FOR INSERTED FASTONS
CONTACT SPACING	18mm
NUMBER OF POLES	3POLES+EARTH
EARTH POSITIONING	H.12
CABLE EXIT	PG9/PG11 UNIFIED
SUITABLE CABLE	FROM $\phi 6\text{mm}$ TO $\phi 11\text{mm}$
MAXIMUM CONDUCTOR SIZE	1,5mm
FIXING SCREW	M3X32,5
PROFILED GASKET	NBR
PROTECTION CLASS	IP67
CIRCUIT TYPE	WITHOUT ELECTRONIC
VOLTAGE	1-250V AC/DC
CONNECTOR WITH H.T.P. LOGO	

TOLLERANZE	±0,2	DISEGNATORE	LORENZO CIMINO	DATA	06-11-13	SCALA	1 : 1	PE50
UDM	ANGOLO	CONTROLLO						
DESCRIZIONE CONNECTOR DIN43650/A G1F SERIES CONTACT SPACING 18mm 3P+E, BLACK HOUSING WITHOUT ELECTRONIC 1-250V PG9/11 UNIFIED CONNECTOR WITHOUT FASTON CONTACTS CONNECTOR WITH H.T.P. LOGO								
						TIPO	G1F	MATERIALE
						CODE	G1FN3000	



H.T.P.
HIGH TECH PRODUCTS